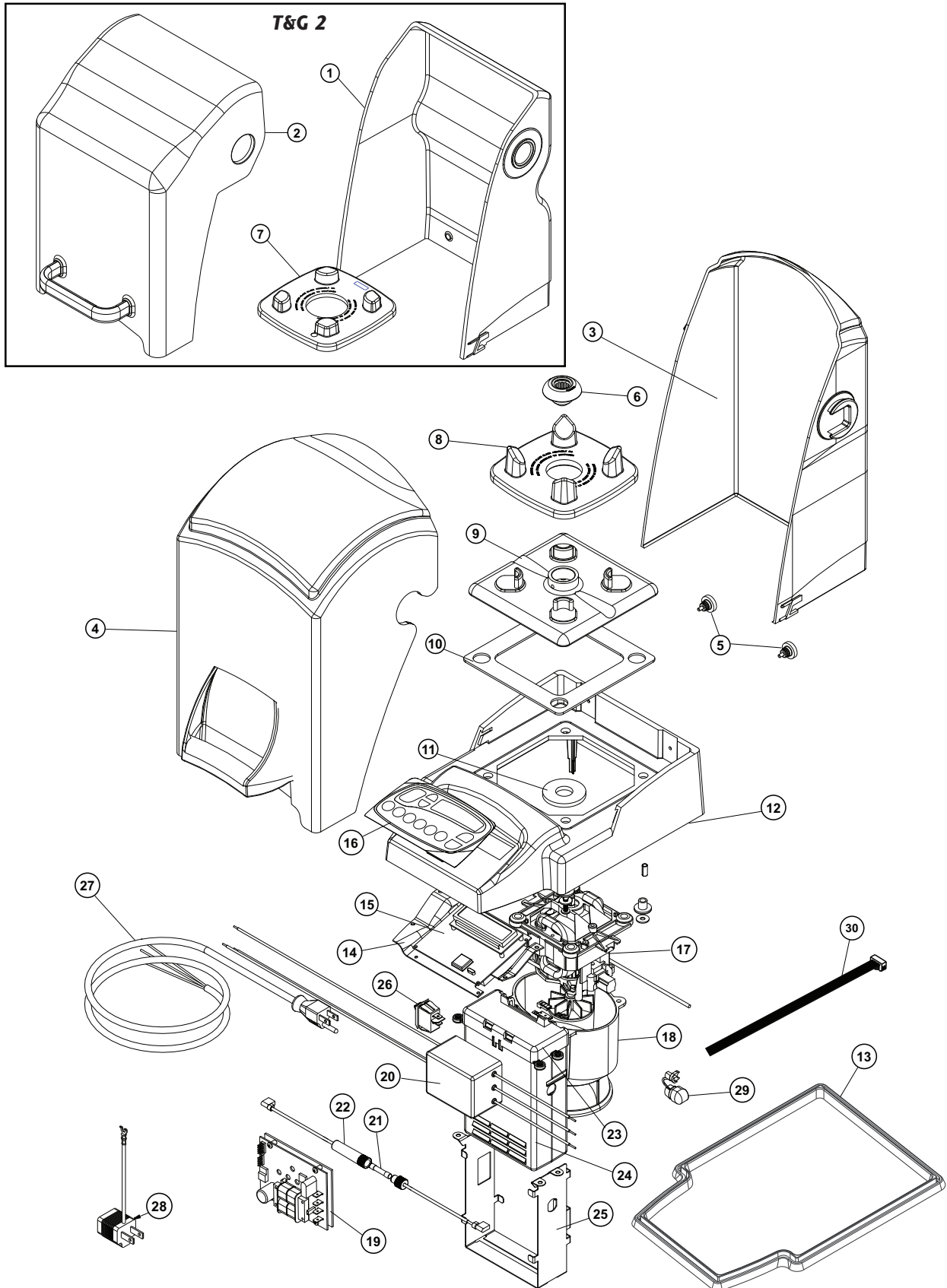


# In-Counter T&G 2™ & Touch & Go® Blending Station®



# In-Counter T&G 2™ & Touch & Go® Blending Station® Parts List – 100V (Japan), 120V, 120V (Taiwan), 220/240V

NO.	NEW PART NO.	OLD PART NO.	DESCRIPTION	VOLTAGE	QTY./PACK
1	18008	18008	T&G 2 Compact Back Cover only	All	1
2	18007	18007	T&G 2 Compact Door Cover only	All	1
3	18004	18004	Touch & Go Back Cover only	All	1
4	18003	18003	Touch & Go Door Cover only	All	1
5	18005	18005	Thumb Screws for Back Cover (2)	All	2
6	891	891	Drive Socket Assembly	All	1
6	15546	15546	Drive Socket Assembly (Set of 2)	All	2
6	15547	15547	Drive Socket Assembly (Set of 5)	All	5
7	15579	15579	T&G 2/XP Centering Pad	All	1
8	890	890	Touch & Go Centering Pad	All	1
9	15771	CST105	Top Motor Plate	All	1
9	892	892	Touch & Go Top Motor Casting Kit	All	1
10	15772	FOM164	Thick Top Motor Plate Gasket	All	1
11	15773	FOM163	Donut Gasket	All	1
12	15788	PLS167	In-Counter Upper Housing	All	1
13	15603	15603	In-Counter Housing Gasket	All	1
14	15790	PLS174	Low Voltage Board Holder	All	1
15	15802	CTL177	T&G 2 Low Voltage Board Assembly (includes Memory Cable)	All	1
15	15799	ASY162	Touch & Go Low Voltage Board Assembly (includes Memory Cable)	All	1
16	15804	CTL176	T&G 2 In-Counter Touch Pad	All	1
16	15792	CTL168	Touch & Go In-Counter Touch Pad	All	1
17	15684	ASY190	Motor Assembly	220/240V	1
17	15680	ASY186	Motor Assembly	100/120V	1
18	15789	ASY163	Motor Shroud Assembly	All	1
19	15780	CTL173	High Voltage Board Assembly	120/220/240V	1
19	15781	CTL170	High Voltage Board Assembly	100V	1
20	15793	ASY218	EMI Filter	220/240V	1
21	15782	CTL172	8 Amp Fuse	220/240V	1
22	15783	ASY165	Fuse Holder	220/240V	1
23	15794	PLS170	Electrical Box Cover	All	1
24	15795	PLS171	Electrical Box	All	1
25	15796	STM162	Electrical Box Housing Bracket	220/240V	1
25	15797	STM163	Electrical Box Housing Bracket	100/120V	1
26	15785	CTL805	On/Off Rocker Switch	220/240V	1
26	15786	CTL800	On/Off Rocker Switch	100/120V	1
27	By Country	By Country	Power Cord	220/240V	1
27	15787	PLG134	Power Cord	120V	1
27	15756	WIR100	Power Cord	100V	1
28	15745	CTL125	Japanese Adapter	100V	1
29	15743	CON800	Power Cord Strain Relief	100/220/240V	1
29	15798	CON161	Power Cord Strain Relief	120V	1
30	15746	n/a	Memory Cable	All	1