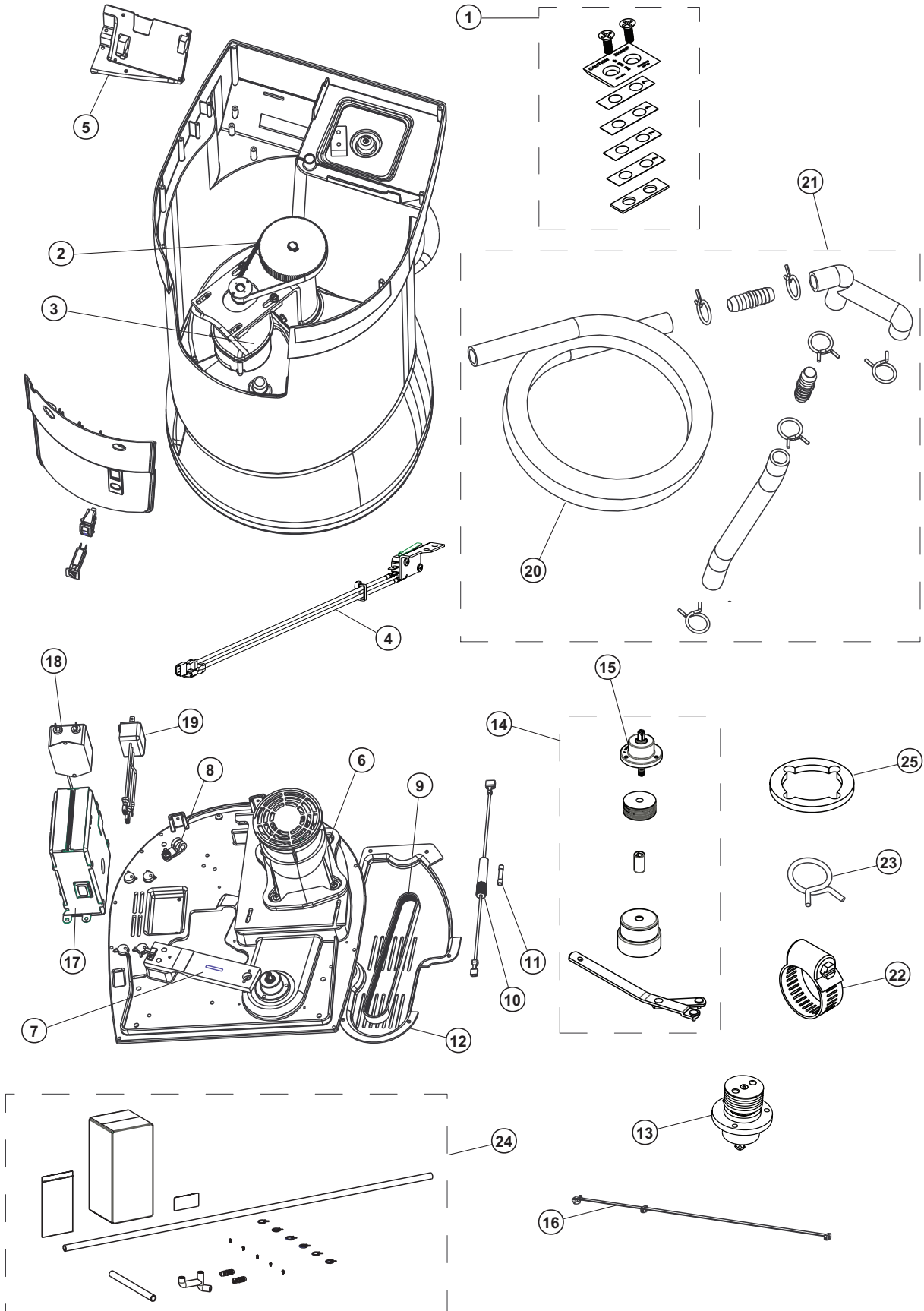


Portion Blending System® Advance and Portion Blending System Kits



Portion Blending System® Advance and Portion Blending System Kits – 100V (Japan), 120V, 120V (Taiwan), 220/240V

NO.	NEW PART NO.	OLD PART NO.	DESCRIPTION	VOLTAGE	QTY./PACK
1	1560	1560	Shaver Blade and Shim Kit	All	1
2	1617	RBB501	Shaver Drive Belt	All	1
3	1594	ASY525	Shaver Motor with Pulley	220/240V	1
3	1593	ASY517	Shaver Motor with Pulley	100/120V	1
4	1619	ASY508	Safety Switch Assembly	All	1
5	1561	1561	Low Voltage Board Assembly	All	1
6	1558	ASY522	Blender Motor Assembly with Pulley	220/240V	1
6	1555	ASY510	Blender Motor Assembly with Pulley	100/120V	1
7	1624	ASY503	Beam	All	1
8	1628	CON503	Power Cord Strain Relief	220/240V	1
8	1629	CON500	Power Cord Strain Relief	100/120V	1
9	1620	RBB500	Blender Drive Belt	All	1
10	1621	ASY526	Inline Fuse Holder	220/240V	1
11	15782	CTL172	8 Amp Fuse	220/240V	1
12	1622	PLS500	Air Inlet Cover	All	1
13	1623	ASY505	PBS Bearing Assembly without tools	All	1
14	1577	n/a	PBS Advance Bearing Assembly with tools	All	1
15	1578	n/a	PBS Advance Bearing Assembly without tools	All	1
16	1634	WIR505	High/Low Voltage Cable	All	1
17	1626	ASY519	High Power Control Assembly	220/240V	1
17	1625	ASY511	High Power Control Assembly	120V	1
17	1627	ASY513	High Power Control Assembly	100V	1
18	15739	CTL509	EMI Filter	220/240V	1
19	15747	CTL512	Surge Suppressor	220/240V	1
20	1605	RBB506	Drain Hose (only)	All	1
21	1551	1551	Drain Hose Kit with elbows	All	1
22	1570	1570	Worm-Drive Clamp Kit (10)	All	10
23	1635	CON502	Spring-Hose Clamp Kit (10)	All	10
NOT SHOWN	1592	1592	Drain System*	All	1
24	1609	n/a	Drain System	All	1
25	1540	1540	Pedestal Seal Kit	All	1
NOT SHOWN	1537	SCM516	PBS Pedestal Upgrade Kit	All	1

*Machines built before March 14, 2007 (before Serial No. XXXXXX070314)