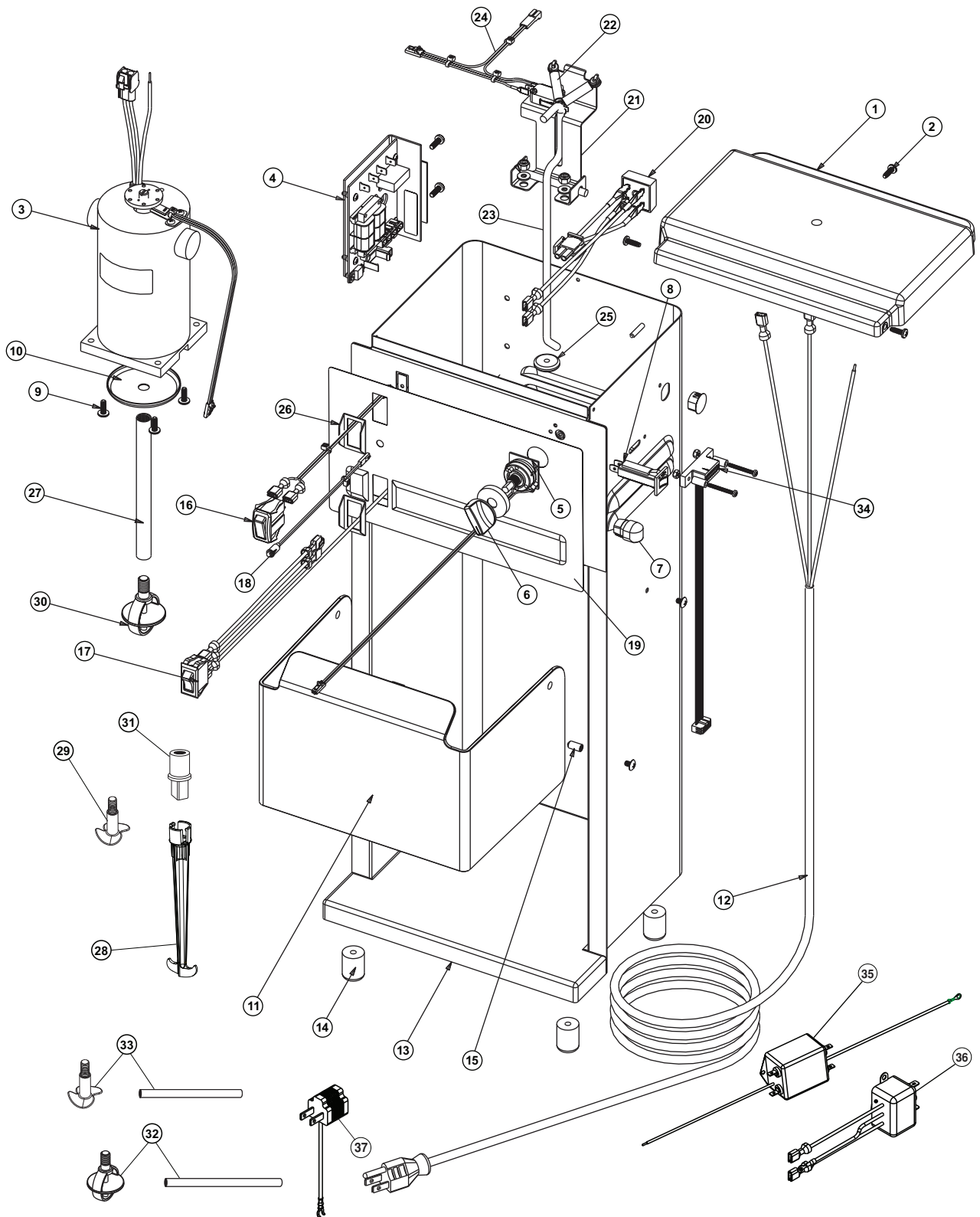


# Mix'n Machine® Advance Programmable



# Mix'n Machine® Advance Programmable Parts List – 100V (Japan), 120V, 120V (Taiwan), 220/240V

NO.	PART NO.	DESCRIPTION	VOLTAGE	QTY./PACK
1	30007	Cap	All	1
2	30010	Cap Retaining Screws (3)	All	3
3	30036	Advance Motor Assembly	220/240V	1
3	30035	Advance Motor Assembly	100/120V	1
4	30037	Universal Controller Board	All	1
5	15731	Selector Switch	All	1
6	15732	Control Knob	All	1
7	15742	Power Cord Strain Relief	220/240V	1
7	15743	Power Cord Strain Relief	100/120V	1
8	30051	2 Amp Circuit Breaker	220/240V	1
8	30050	3 Amp Circuit Breaker	100/120V	1
9	30013	Motor Mounting Screws (4)	All	4
10	30014	Slinger	All	1
11	30015	Splash Guard	All	1
NOT SHOWN	30052	Large Splash Guard	All	1
12	By Country	Power Cord	220/240V	1
12	30049	Power Cord	100/120V	1
13	30053	Stainless Steel Frame	All	1
14	1240	Plugged Foot Assembly (4)	All	4
15	30020	Pivot Pins (4)	All	4
16	30038	Momentary Switch	All	1
17	30046	Lighted On/Off Switch	220/240V	1
17	30045	Lighted On/Off Switch	100/120V	1
18	30048	LED Indicator Light	All	1
19	LBL859	Mix'n Machine Advance Programmable Label	All	1
20	30039	Rectifier Bridge with Wires	All	1
21	30040	Switch Rod Assembly	All	1
22	30041	Switch Rod Springs with Grommets	All	1
23	30042	Switch Rod	All	1
24	30043	Switch Rod Switch with Wires	All	1
25	30044	Switch Rod Seal	All	1
26	30022	Switch Guard	All	1
27	30034	Agitator Shaft (extended)	All	1
27	30023	Agitator Shaft	All	1
28	30003	Removable/Reusable Agitators (10)	All	10
29	30018	Aggressive/Permanent Hard Ice Cream Agitator	All	1
30	30019	Permanent Soft Ice Cream Agitator	All	1
31	80	Conversion Kit (Perm. to Remov. Agitator)	All	1
32	81	Conversion Kit (Remov. to Perm. Agitator)	All	1
33	30006	Conversion Kit (Remov. to Aggr./Perm. Agitator)	All	1
34	15746	Memory Cable	All	1
35	15739	EMI Filter	220/240V	1
36	15747	Surge Suppressor	220/240V	1
37	15745	Japanese Adapter	100V	1