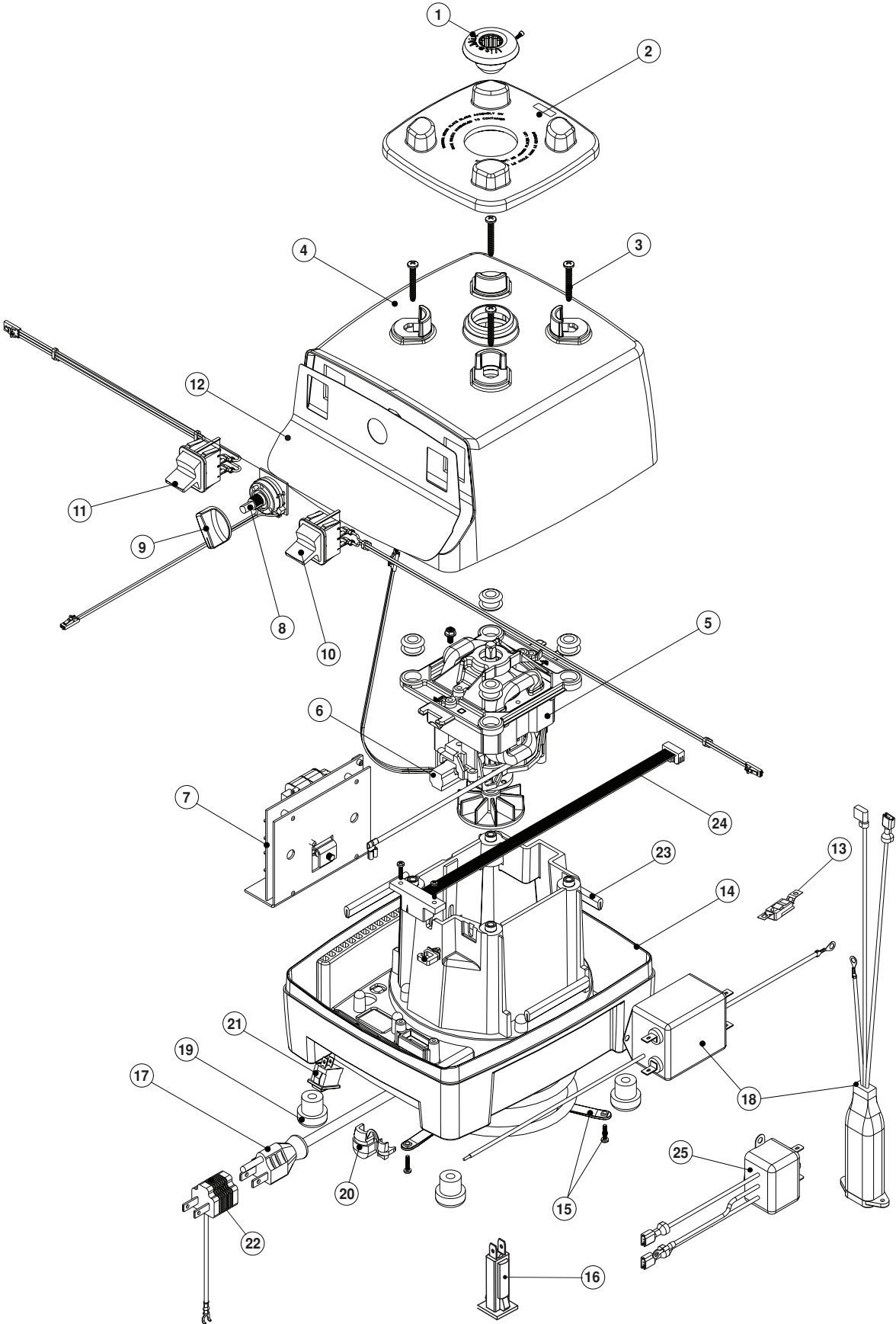


Drink Machine Advance and BarBoss® Advance



Drink Machine Advance and BarBoss® Advance Parts List – 100V (Japan), 120V, 120V (Taiwan), 120V EMC (Taiwan), 220/240V

| NO. | NEW PART NO. | OLD PART NO. | DESCRIPTION | VOLTAGE | QTY./PACK |
|-----------|--------------|--------------|-----------------------------------|------------------|-----------|
| 1 | 891 | 891 | Drive Socket Assembly | All | 1 |
| 1 | 15546 | 15546 | Drive Socket Assembly (Set of 2) | All | 2 |
| 1 | 15547 | 15547 | Drive Socket Assembly (Set of 5) | All | 5 |
| 2 | 15578 | 15578 | XP Centering Pad | All | 1 |
| 3 | 15726 | FST102 | Upper Shell Retainer Screws (4) | All | 4 |
| 4 | 15727 | PLS200 | Upper Base Shell - Silver | All | 1 |
| 4 | 15728 | PLS111 | Upper Base Shell - Black | All | 1 |
| 4 | 15729 | PLS186 | Upper Base Shell - Red | All | 1 |
| 5 | 15678 | n/a | Advance Motor Assembly | 220/240V | 1 |
| 5 | 15672 | n/a | Advance Motor Assembly | 100/120/120V EMC | 1 |
| 6 | 764 | 764 | Brush Replacement Kit | All | 2 |
| 7 | 15730 | n/a | Universal Controller Board | All | 1 |
| 8 | 15731 | n/a | Selector Switch | All | 1 |
| 9 | 15732 | PLS207 | Control Knob | All | 1 |
| 10 | 15733 | n/a | Momentary Pulse Switch with Wires | All | 1 |
| 11 | 15734 | n/a | Lighted Momentary Switch | All | 1 |
| 12 | LBL549 | LBL549 | Drink Machine Advance Label | All | 1 |
| 12 | LBL550 | LBL550 | BarBoss Advance Label | All | 1 |
| 13 | 824 | 824 | Thermal Protector Switch | 100/120/120V EMC | 1 |
| 13 | 15515 | 15515 | Thermal Protector Kit | 220/240V | 1 |
| 14 | 15760 | ASY101 | Base Frame Assembly | All | 1 |
| 15 | 793 | 793 | Cord Retainer Clip & Screw | All | 4 |
| 16 | 15735 | CTL151 | Circuit Breaker | 220/240V | 1 |
| 17 | By Country | By Country | Power Cord | 220/240V | 1 |
| 17 | 15736 | PLG136 | Power Cord | 120V | 1 |
| 17 | 15737 | PLG117 | Power Cord | 100V | 1 |
| 17 | 15738 | PLG133 | Power Cord | 120V EMC | 1 |
| 18 | 15739 | CTL509 | EMI Filter | 220/240V | 1 |
| 18 | 15740 | CTL131 | EMI Filter | 100V | 1 |
| 18 | 15741 | CTL515 | EMI Filter | 120V EMC | 1 |
| 19 | 794 | 794 | Rubber Feet (4) | All | 4 |
| 20 | 15742 | FST815 | Power Cord Strain Relief | 220/240V | 1 |
| 20 | 15743 | CON800 | Power Cord Strain Relief | 100/120/120V EMC | 1 |
| 21 | 15744 | n/a | On/Off Switch | All | 1 |
| 22 | 15745 | CTL125 | Japanese Adapter | 100V | 1 |
| 23 | 15748 | PLS131 | Base Frame Channels (3) | All | 3 |
| 24 | 15746 | n/a | Memory Cable | All | 1 |
| 25 | 15747 | CTL512 | Surge Suppressor | 220/240V | 1 |
| NOT SHOWN | 15748 | n/a | Base Frame Channel (3) | All | 3 |