



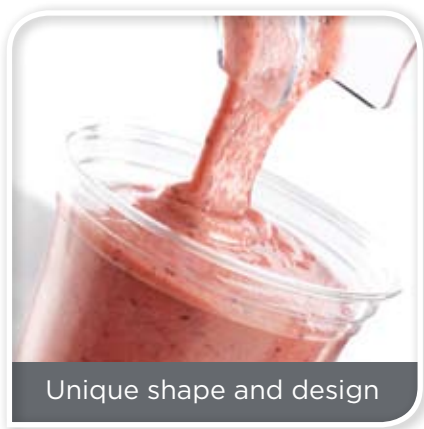
## ADVANCE® CONTAINER

### Greater Efficiency and Speed of Service

The Advance container creates faster, smoother pouring and has a longer container and blade life.

### Smart Product Design

- Unique shape and design improves pourability, resulting in time and cost savings and an improved speed of service
- Built-in, dripless spout means less mess and waste
- Superior durability with double-sealed bearings, provides a longer blade life
- Shatter-proof polycarbonate container
- Operates with current machine programming or allows for new, more efficient programming



Unique shape and design

## Product Specifications

### Advance® Container Item No. 15981

**Pack:** Includes 0,9 L high-impact, clear/stackable Advance container, complete with Advance blade assembly and lid.

**Net Weight:** 1,0 kg (0,9 kg with box)

**Dimensions:** 26,7 x 18,0 x 20,8 cm (H x W x D)

### Advance Container Item No. 15978

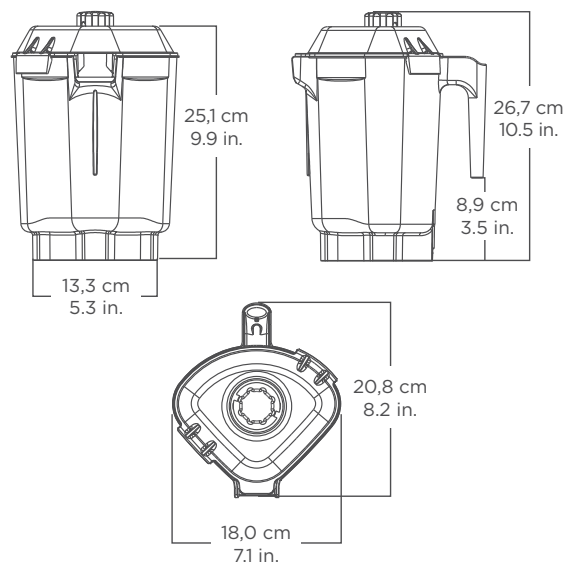
**Pack:** Includes 1,4 L high-impact, clear/stackable Advance container, complete with Advance blade assembly and lid.

**Net Weight:** 1,0 kg (0,9 kg with box)

**Dimensions:** 26,7 x 18,0 x 20,8 cm (H x W x D)

**Warranty:** Please contact your authorized Vitamix distributor for warranty information.

15981 and 15978

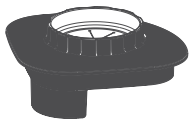


Where applicable:



## Also Available

Item No. 15989: One-piece rubber splash lid. For Advance container only.



## Compatible Machines

Advance Container Item No. 15981:

Drink Machine Advance®

BarBoss® Advance®

T&G™ 2 Blending Station®

Advance Container Item No. 15978:

Blending Station® Advance®

Portion Blending System® Advance®

For more information, please contact an authorized Vitamix distributor, or Vitamix international customer service.

## Contact Information

U.S.A., Canada & Latin America:

Tel: 800.4DRINK4 or  
440.235.0214

E-mail: [foodservice@vitamix.com](mailto:foodservice@vitamix.com)

[www.vitamix.com/foodservice](http://www.vitamix.com/foodservice)

Vita-Mix Corporation  
8615 Usher Road  
Cleveland, OH 44138-2103 U.S.A.

Outside of U.S.A., Canada &  
Latin America:

Tel: +1.440.782.2450

E-mail: [international@vitamix.com](mailto:international@vitamix.com)

For more information, contact your  
local foodservice distributor.