



BarBoss® Advance

Better for Drinks, Better for Business

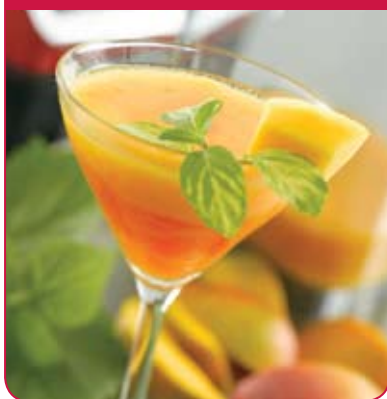
Whether preparing blended drinks, simple syrups, or purees for cocktail bases, the BarBoss Advance is an essential tool for expanding and maintaining your beverage program.

Smart Product Design

- The Advance™ container creates faster, smoother pouring without the mess, saving you time and money
- 6 optimized programs and automatic shut-off means you can turn it on, walk away, and blend consistently-smooth beverages
- Pulse control quickly refreshes drinks for efficiency
- Advanced motor is designed to resist overheating when blending extra-thick ingredients resulting in enhanced reliability during peak hours of operation



Smooth purees for cocktails





Specifications

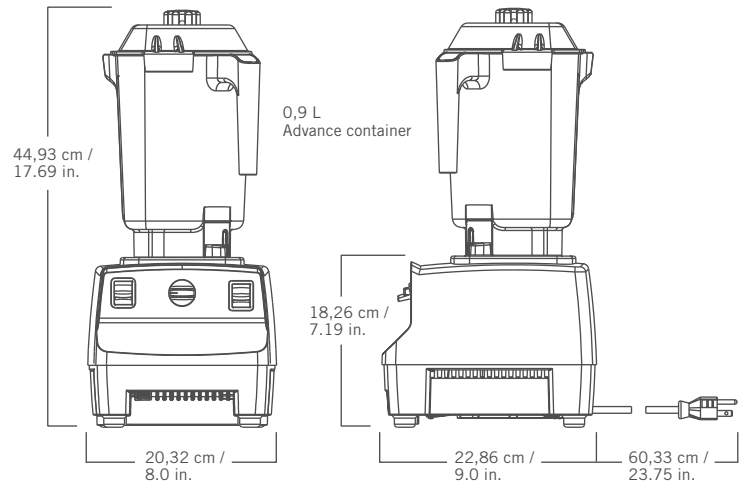
BarBoss® Advance: Item No. 10197

Motor: ≈ 2 peak motor horsepower
 Electrical: 220-240 V, 50/60 Hz, 750-850 watts
 Pack: Includes 1 BarBoss Advance with 0,9 L high-impact, clear/stackable Advance™ container, complete with blade assembly and lid, and red base.
 Net Weight: 5,9 kg
 Dimensions: 44,93 x 20,32 x 22,86 cm (H x W x D)

Assembled in the U.S.A. of U.S.A. and Swedish components.
FOR COMMERCIAL USE ONLY.

Warranty: Please contact your authorized Vita-Mix distributor for warranty information.

Where Applicable:



The new Advance container



Unique shape and design for faster, smoother pouring



Also Available

BarBoss Advance with Advance container
 Item No. 10193: 120 V (EMC), 50/60 Hz, 11,5 amps
 Item No. 10195: 100 V, 50/60 Hz, 900 watts

BarBoss Advance with XP container
 Item No. 10101: 220-240 V, 50/60 Hz, 750-850 watts
 Item No. 10121: 120 V (EMC), 50/60 Hz, 11,5 amps
 Item No. 10111: 100 V, 50/60 Hz, 900 watts

Additional containers, complete with blade assembly and lid
 Item No. 15981: Advance container 0,9 L
 Item No. 15570: XP container 0,9 L
 Item No. 15506: standard container 1,4 L
 Item No. 15640: compact container 0,9 L

Item No. 15606: Software kit for customized programming

For more information, please contact an authorized Vita-Mix distributor, or Vita-Mix international customer service.

Contact Information

Vita-Mix Corporation
 8615 Usher Road
 Cleveland, OH 44138-2103 U.S.A.

www.vitamix.com/foodservice

U.S.A. and Canada

Tel: 800.4DRINK4, 440.235.0214
 Fax: 440.235.9670
 E-mail: commercial@vitamix.com

All Other Countries

Tel: +1.440.782.2450
 Fax: +1.440.782.2220
 E-mail: international@vitamix.com

For more information, contact your local foodservice distributor.

