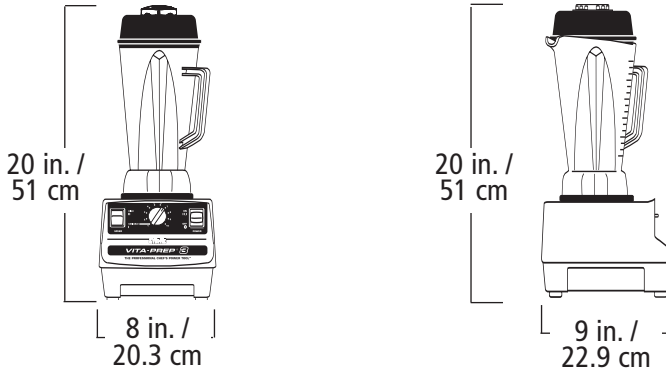


THE VITA-PREP® 3 HAS MORE POWER AND HANDLES THE THICKEST, TOUGHEST INGREDIENTS. GRIND MEATS FOR PATE OR CHOP TOUGH VEGETABLES FOR AUTHENTIC MEXICAN SALSA WITHOUT OVERHEATING. USE THE VARIABLE SPEED FOR PERFECT PUREES, SOUPS AND SAUCES. VITA-PREP 3 IS A MUST IN COMMERCIAL KITCHENS WHERE VOLUME AND QUALITY ARE KEY INGREDIENTS TO A SUCCESSFUL BACK-OF-THE-HOUSE.

VITA-PREP® 3	
ITEM NUMBER	DESCRIPTION
1005	Vita-Prep® 3 Variable Speed – black base – with 64 oz. / 2.0 Ltr. polycarbonate container and wet blade

These Item Numbers are for 120 VAC. Other voltages are also available.



VITA-PREP® 3
The Professional Chef's Power Tool

Specifications:

3+ peak motor horsepower with 37,000 RPM bare motor speed

120 VAC, 50/60 Hz, 12.5 Amps

Other Voltages Available

Container comes with wet blades

Pack: 1 per standard pack
Weight: 13 lbs. / 5.9 kg
Cube: 1.5 cu. ft. / .04 cu. m
Case: 13.1 in. / 33.3 cm H x 11.9 in. / 30.2 cm W x 16.9 in. / 42.9 cm D

Model # VM0101D



when applicable



FOODSERVICE