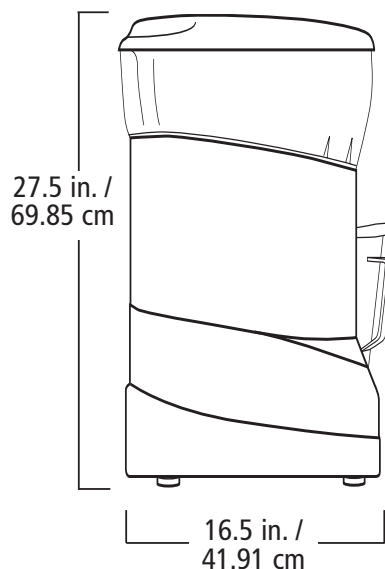
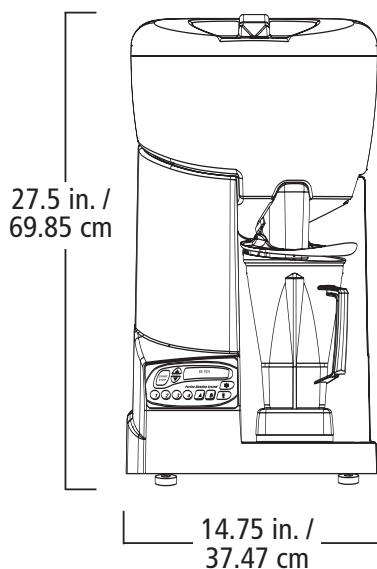


THE PORTION BLENDING SYSTEM® HAS A LARGE 5 GALLON / 19 LTR. HOPPER THAT AUTOMATICALLY DISPENSES PRECISE AMOUNTS OF ICE. THE ICE IS THEN FED INTO THE BLENDER CONTAINER AND THOROUGHLY HOMOGENIZED WITH ANY DRINK MIX AND OTHER INGREDIENTS.

PORTION BLENDING SYSTEM® (PBS)	
ITEM NUMBER	DESCRIPTION
1500	Portion Blending System® (PBS) with 64 oz. / 2.0 Ltr. polycarbonate container and ice blade; <b>No Warranty</b>
1501	Portion Blending System® (PBS) with 64 oz. / 2.0 Ltr. polycarbonate container and ice blade; <b>One Year Parts Only Warranty</b>
1502	Portion Blending System® (PBS) with 64 oz. / 2.0 Ltr. polycarbonate container and ice blade; <b>One Year Parts AND Labor Warranty</b>

*These Item Numbers are for 120 VAC. Other voltages are also available.*



**PORTION BLENDING SYSTEM® (PBS)**  
**Portion Control Ice Shaver Blender**

*Specifications:*

*Blender Motor:*

*2+ peak motor horsepower*

*Shaver Motor:*

*.25 peak motor horsepower permanent magnet motor*

*120 VAC, 50/60 Hz, 12 Amps*

*Other Voltages Available*

*Container comes with ice blade*

*Pack: 1 per standard pack*

*Weight: 58 lbs. / 26.3 kg*

*Cube: 6.8 cu. ft. / .19 cu. m*

*Case: 31 in. / 78.7 cm H x*

*18 in. / 45.7 cm W x*

*21 in. / 53.3 cm D*

**Model # VM0126**



when applicable

