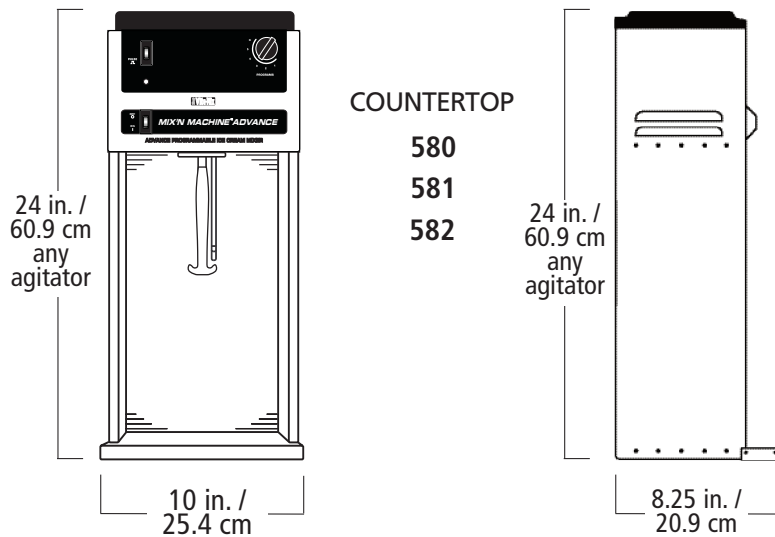


THE NEW MIX'N MACHINE™ ADVANCE IS THE FIRST-EVER PROGRAMMABLE FROZEN TREAT MIXER! WITH ONE-HAND OPERATION, 6 PRE-SET BLENDING PROGRAMS, END-OF-CYCLE INDICATOR AND AUTOMATIC SHUT OFF, THIS WORKHORSE IS THE MOST CONSISTENT AND EFFICIENT MIXER ON THE MARKET. FROM MIX-IN TREATS TO THICK, SMOOTH MALTS AND MILKSHAKES, THE MIX'N MACHINE ADVANCE IS PERFECT FOR HIGH-VOLUME ICE CREAM SHOPS, SMOOTHIE SHOPS AND QUICK-SERVE RESTAURANTS.

MIX'N MACHINE™ ADVANCE PROGRAMMABLE	
ITEM NUMBER	DESCRIPTION
580	Mix'n Machine Advance with Permanent Soft Ice Cream Agitator , Countertop
581	Mix'n Machine Advance with 10 Removable/ Reusable Agitators , Countertop
582	Mix'n Machine Advance with Aggressive/Permanent Hard Ice Cream Agitator , Countertop

These Item Numbers are for 120 VAC. Other voltages are also available.



MIX'N MACHINE™ ADVANCE PROGRAMMABLE Frozen Treat Mixer

Specifications:

Motor: 500 RPMs to 3000 RPMs bare motor speed

120 VAC, 50/60 Hz, 2 Amps

Other Voltages Available

Pack: 1 per standard pack

Weight: 20 lbs. / 9.1 kg

Cube: 1.9 cu. ft. / .05 cu. m

Case: 27 in. / 68.6 cm H x

10.2 in. / 25.9 cm W x

12 in. / 30.5 cm D

MODEL #VM0805B



when applicable

